



Omnidirectional HID lamp replacements from 70W up to 150W. Universal voltage and compact design allows for installation across many applications.

Color: White

Weight: 0.8 lbs

Project:	Type:
Prepared By:	Date:

Driver Info		LED Info	
Watts	23.50W	Input Voltage	120-277
Color Temp	4000K (Cool White)	Power Factor	>0.9
Lumens	3,100	Flicker	N/A
Efficacy	131.9 LPW	THDi	N/A
Color Accuracy	80 CRI	R9	
L70 Accuracy	50,000		

Technical Specifications

Technical Specifications

Product Type:

HID

Bulb Shape:

A23

Wattage:

23.5W

Wattage Equivalency:

70 -100W HID

Typical Lumen Output:

3100

Efficacy:

127 lm/W

Color Temperature:

4000K Cool White

CRI:

80

Base Type:

EX39

L70 Lifespan:

50,000 hours

Operating Temperature:

-20°C - 45°C

Dimmable:

No

Beam Angle:

230°

Warranty:

5-Year, No-Compromise Warranty

Installation Orientation:

Universal Installation

For Use in Emergency Fixtures:

No

For Use Outdoors in Open Fixtures:

No

Electrical Characteristics

Input Voltage:

120-277V

Power Factor:

>0.9

Technical Specifications (continued)

Electrical Characteristics

Operating Frequency:

60 Hz

Input Current @ 120V:

249mA

Input Current @ 277V:

108mA

THDi:

≤25%

Listings

UL Listed:

Yes

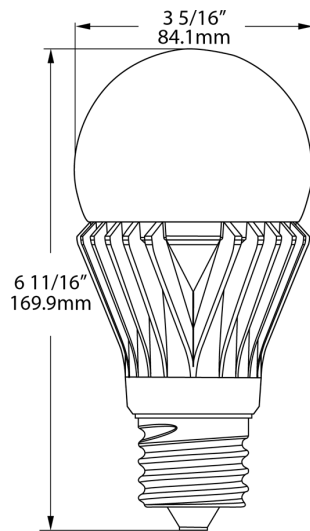
UL Classified:

Yes

CEC Status:

Lawful for sale in California

Dimensions



Features

- OMNIDIRECTIONAL HID lamp replacement from 70W up to 150W
- UNIVERSAL voltage and compact design allows for installation across many applications.
- INSTALLATION ORIENTATION - Lamps can be installed base up, down, or horizontal
- DAMP RATED - Suitable for use outdoors
- BALLAST BYPASS- Reduces maintenance costs
- ENCLOSED FIXTURE RATED - May be used in enclosed and open fixtures